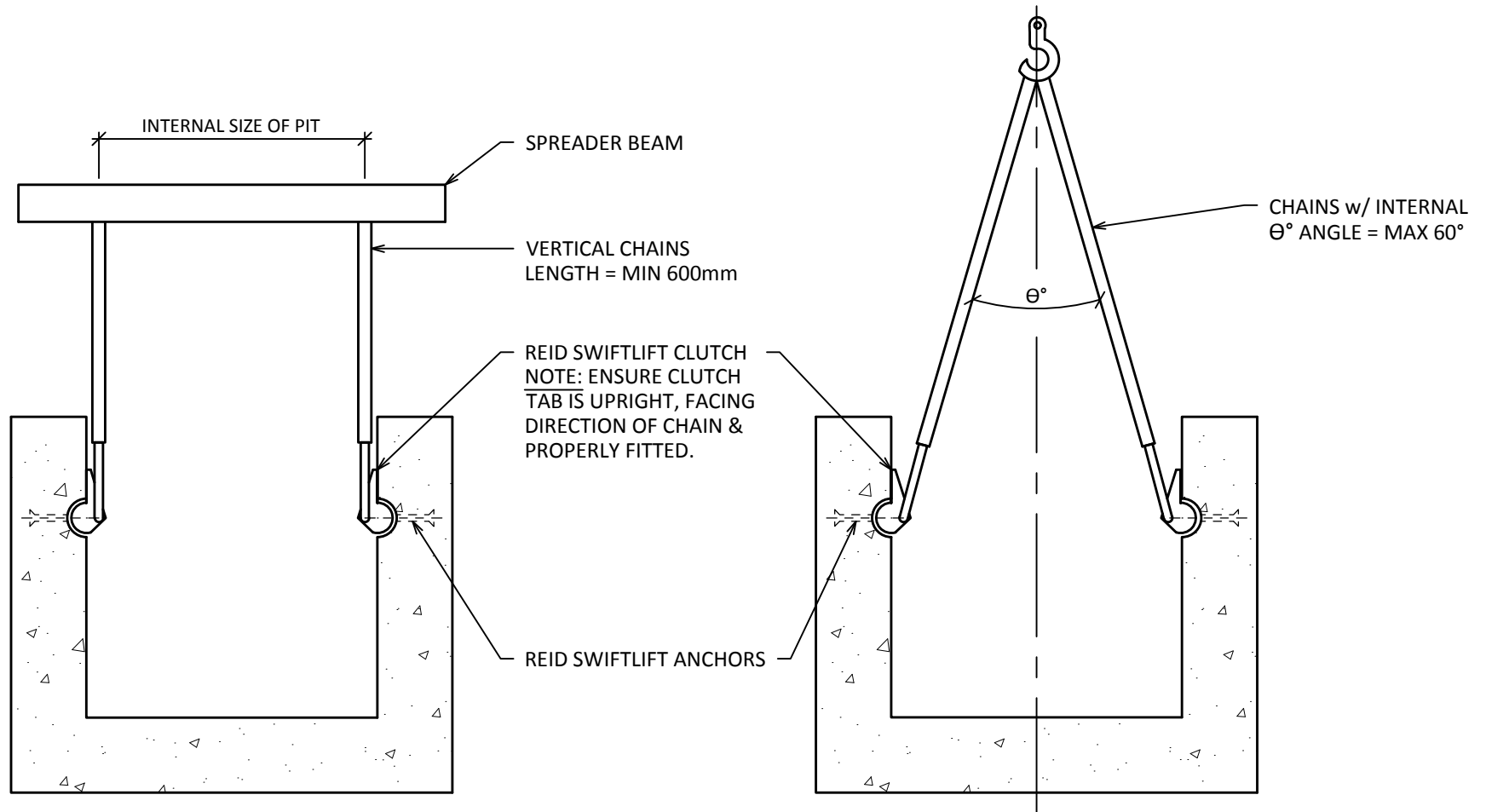


PRODUCT DRAWING

DESCRIPTION	PIT LIFTING DIAGRAM - SWIFTLIFT CLUTCHES
-------------	--



NOTES:

1. BEAM & CHAINS TO BE CENTERED OVER LOAD, CHAINS TO BE SLIGHTLY TENSIONED & LIFTING EQUIPMENT TO BE CHECKED PRIOR TO RAISING.
2. ALL LIFTING EQUIPMENT MUST BE SUITABLY RATED.
3. IF VISIBLE DAMAGE IS OBSERVED AROUND LIFTING POINTS, PIT MUST **NOT** BE LIFTED.
4. FOR FURTHER LIFTING INSTRUCTIONS, REFER TO www.reid.com.au.