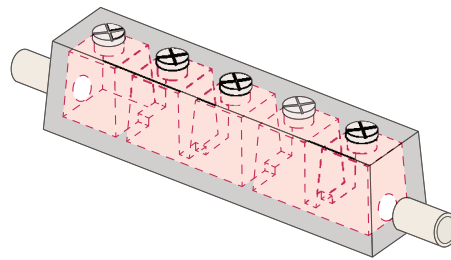


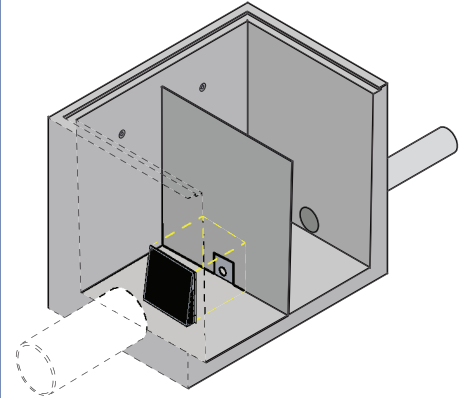
To request a personalised quote for an SVC stormwater detention system, please complete the below form and submit it to sales@svc.com.au or to your SVC account representative.

PRODUCT REQUIRED:

MC2 MULTICELL UNIT



VARIABLE CONTROL PIT



MC2 - MULTICELL UNIT

Please complete all requested details below.

MC2 model required:	MC2 A _____	
Inlet Pipe Size (150mm PVC or 225mm PVC)	<input type="checkbox"/> 150mm PVC	<input type="checkbox"/> 225mm PVC
Outlet Pipe Size (150mm PVC or 225mm PVC)	<input type="checkbox"/> 150mm PVC	<input type="checkbox"/> 225mm PVC

- All units are manufactured to order. Standard delivery time is 5-10 working days from confirmation of order.
- Multicell model numbers **A11 - A19** are designed for use with **150mm DIA Outlet Pipe**.
- Multicell model numbers **A21 - A29** are designed for use with **225mm DIA Outlet Pipe**.

VCP - VARIABLE CONTROL PIT

Please complete all requested details below.

PIT SIZE	<input type="checkbox"/> 1200 x 900	<input type="checkbox"/> 1500 x 900		
COVER LOAD REQUIREMENTS	<input type="checkbox"/> LOAD CLASS B	<input type="checkbox"/> LOAD CLASS C		
OUTLET CONTROL PLATE DIAMETER	<input type="checkbox"/> 70mm DIA	<input type="checkbox"/> 90mm DIA	<input type="checkbox"/> 110mm DIA	<input type="checkbox"/> 150mm DIA
BAFFLE POSITION	<input type="checkbox"/> CENTRAL	<input type="checkbox"/> OTHER: _____ mm from internal inlet chamber wall		
DEBRIS SCREENING TYPE	<input type="checkbox"/> SMALL PARTICLES 8mm	<input type="checkbox"/> MEDIUM PARTICLES 20mm		
INLET HOLE SIZE & POSITION	_____ mm DIA Comments: _____			
OUTLET HOLE SIZE & POSITION	_____ mm DIA Comments: _____			

- All units are manufactured to order. Standard delivery time is 10 working days from confirmation of order.